



B&B DENTAL
implant company



PROSTHETIC PROCEDURES

BASIC INFO

DURAVIT IMPLANT LINES
3P - EVOLUTION - WIDE

TEMPORARY ABUTMENT - FIBRE-GLASS

The fibre-Glass Abutment has been designed as temporary abutment easily customized by the clinician or in the laboratory by the dental technician.

INTENDED USE

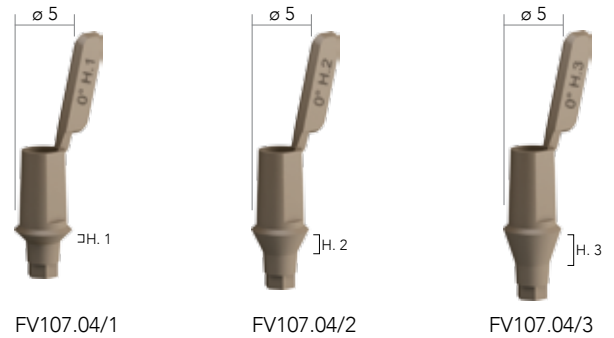
- Immediate loading in anterior area out of occlusion
- Individual soft tissue management for esthetic cases
- Screw-or cement-retained temporary crowns
- Cement-retained temporary bridges

CHARACTERISTICS

- Fibre-glass material allows a modification that is easy and quick
- Easy-to-achieve esthetics due to tooth-colored and metal free

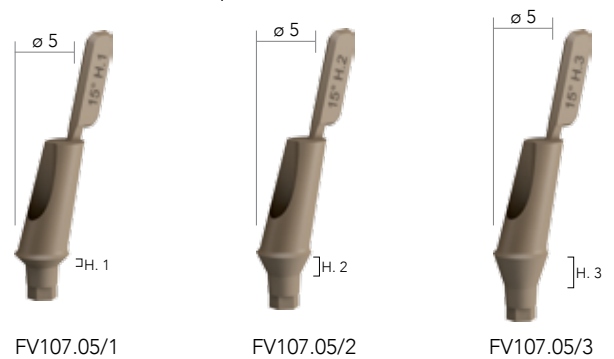
FIBRE-GLASS STRAIGHT ABUTMENTS

Complete with Prosthetic Screw



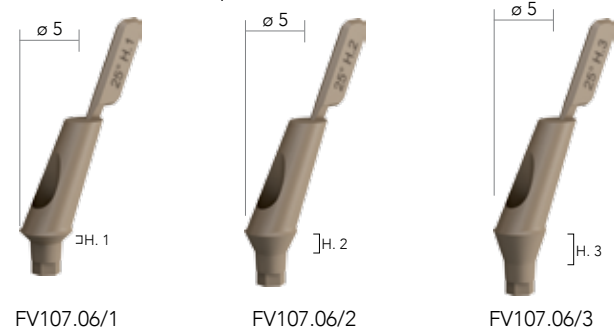
FIBRE-GLASS 15° ANGLED ABUTMENTS

Complete with Prosthetic Screw



FIBRE-GLASS 25° ANGLED ABUTMENTS

Complete with Prosthetic Screw



PROSTHETIC SCREW
INN-6050



FIBRE-GLASS KIT
000.08
The box contains
1 pc. of each code.



1

Place the pre-selected abutment inside the analog.



2

Hand-tighten the temporary abutment in the implant/implant analog with the SCS screwdriver and temporarily seal the screw channel.



3

Individualize the temporary abutment.



4

Use a standard procedure to fabricate the cement-retained single crown (e.g. grind out a prefabricated plastic tooth).



5

Coat the internal configuration of the crown with temporary cement and cement it on the temporary abutment.



6

Cement the superstructure to the abutment and Remove superfluous cement.